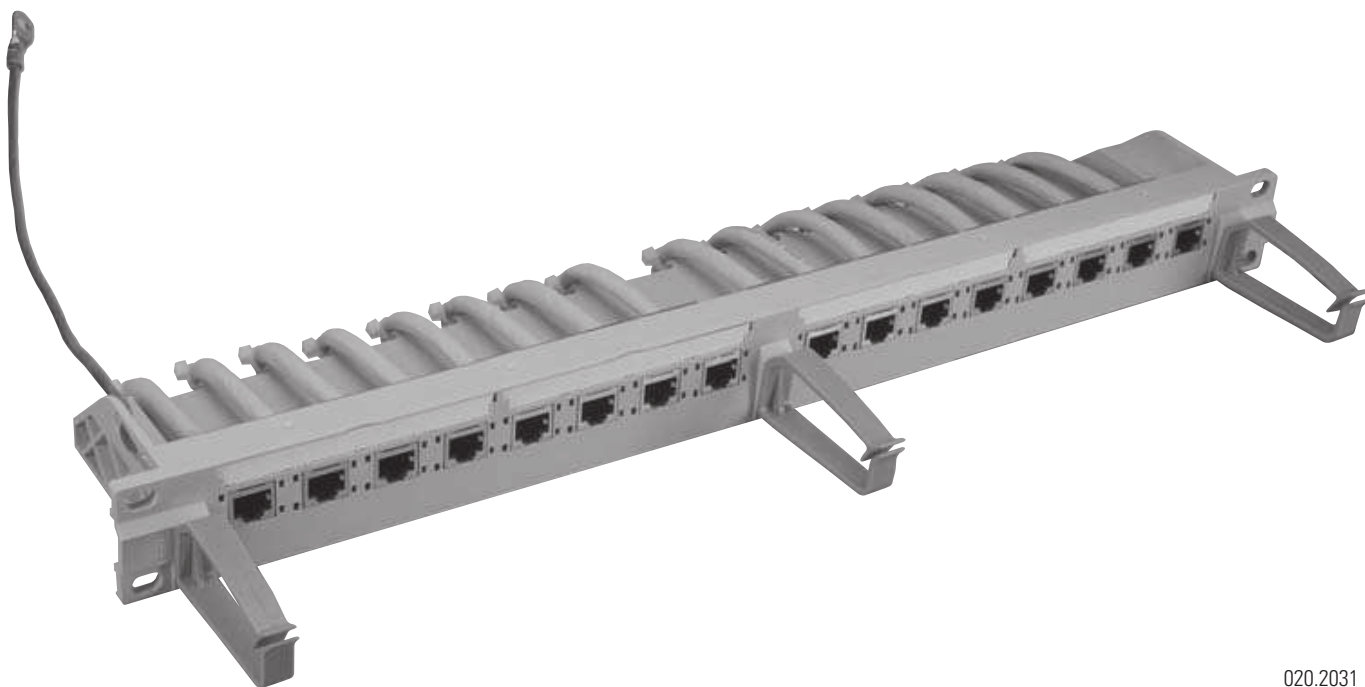
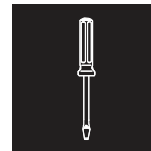
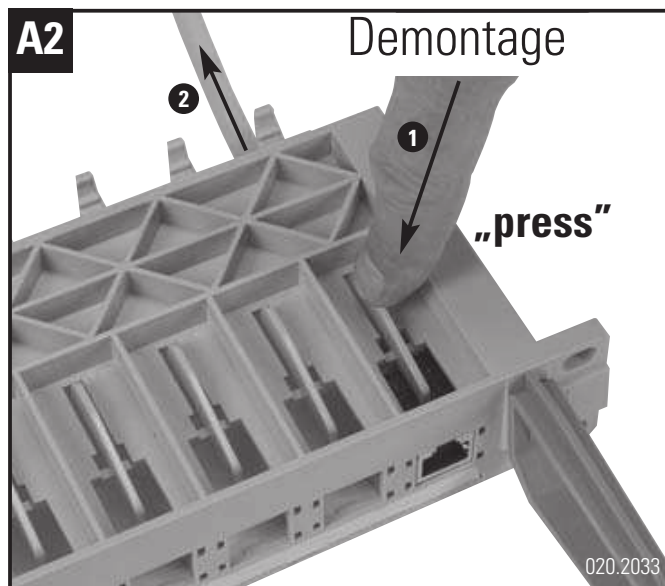
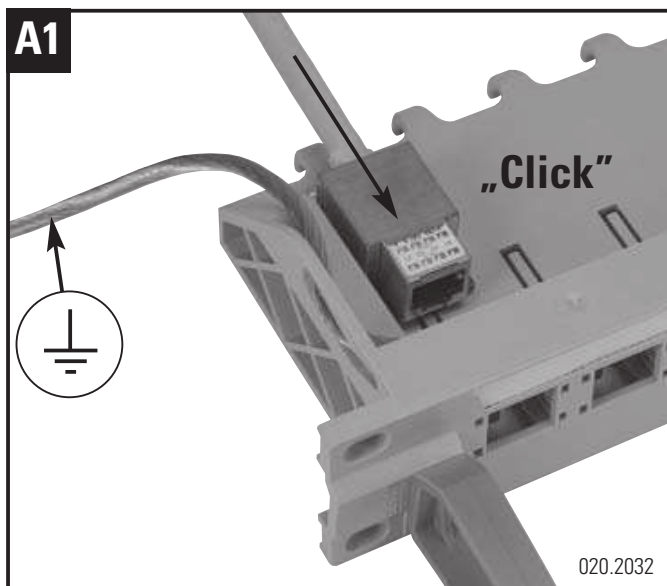
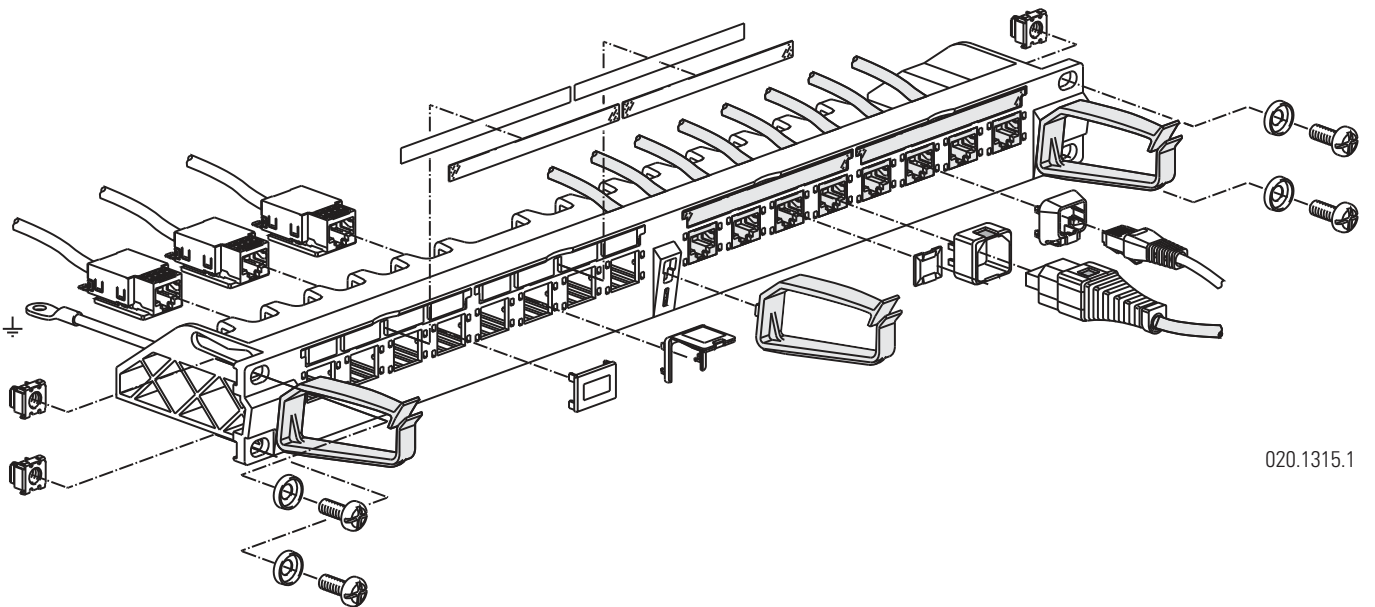
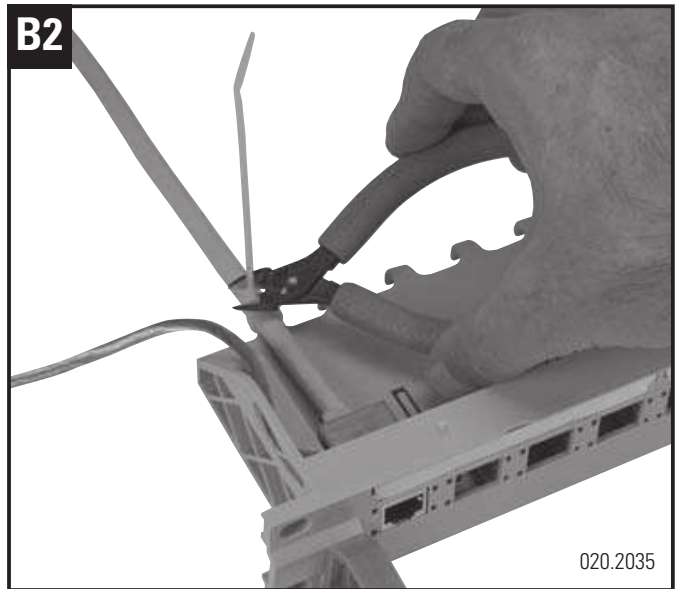
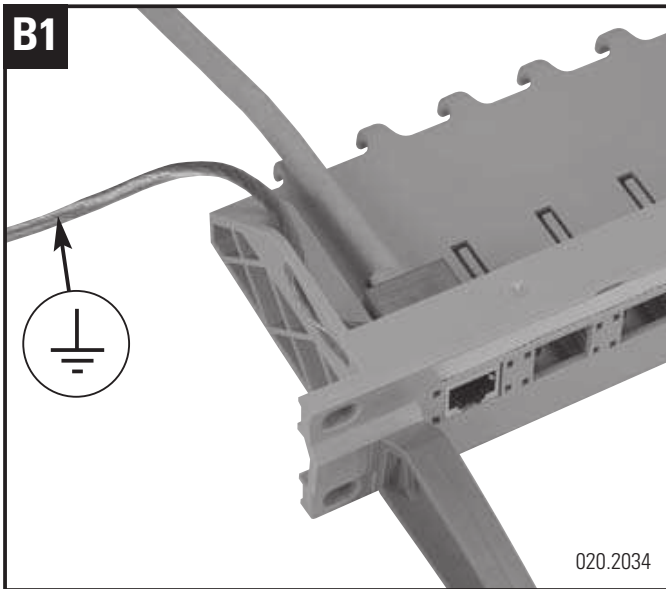


Installationsanleitung 19" 1HE Rangierfeld, 16 x RJ45
Installation guide 19" 1U Patch Panel, 16 x RJ45
Instructions de montage 19" 1U Patch Panel, 16 x RJ45



020.2031





Headquarters

Switzerland

Reichle & De-Massari AG

Binzstrasse 32

CHE-8620 Wetzikon

Telephone HQ +41 (0)44 933 81 11

Telefax HQ +41 (0)44 930 49 41

E-Mail hq@rdm.com

www.rdm.com

